



## LARGE CAPACITY SWING HEAD HEAVY DUTY WORKSHOP BANDSAWS



### BMS320-G Manual Bandsaw

Manual lift of saw bow, Manual vice, Tilting vice for mitre cuts

#### Machine Options

Electronic Variable blade speed

### BMSY320-G Semi-Auto Bandsaw

Hydraulic lift of saw bow, Manual vice, Tilting vice for mitre cuts

#### Machine Options

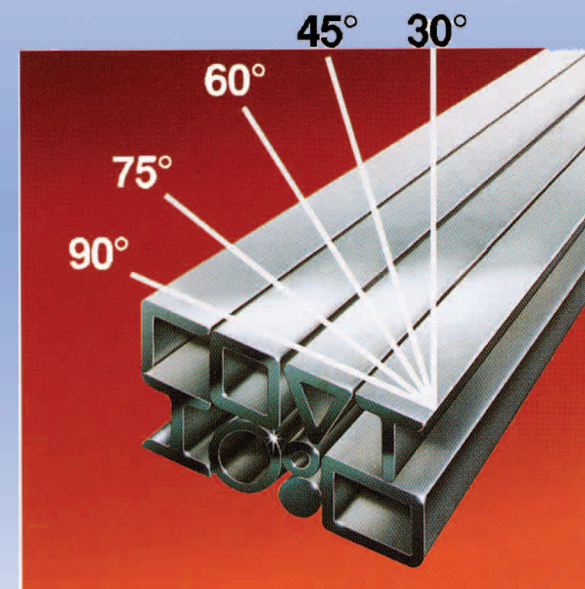
Electronic Variable blade speed

Hydraulic vice

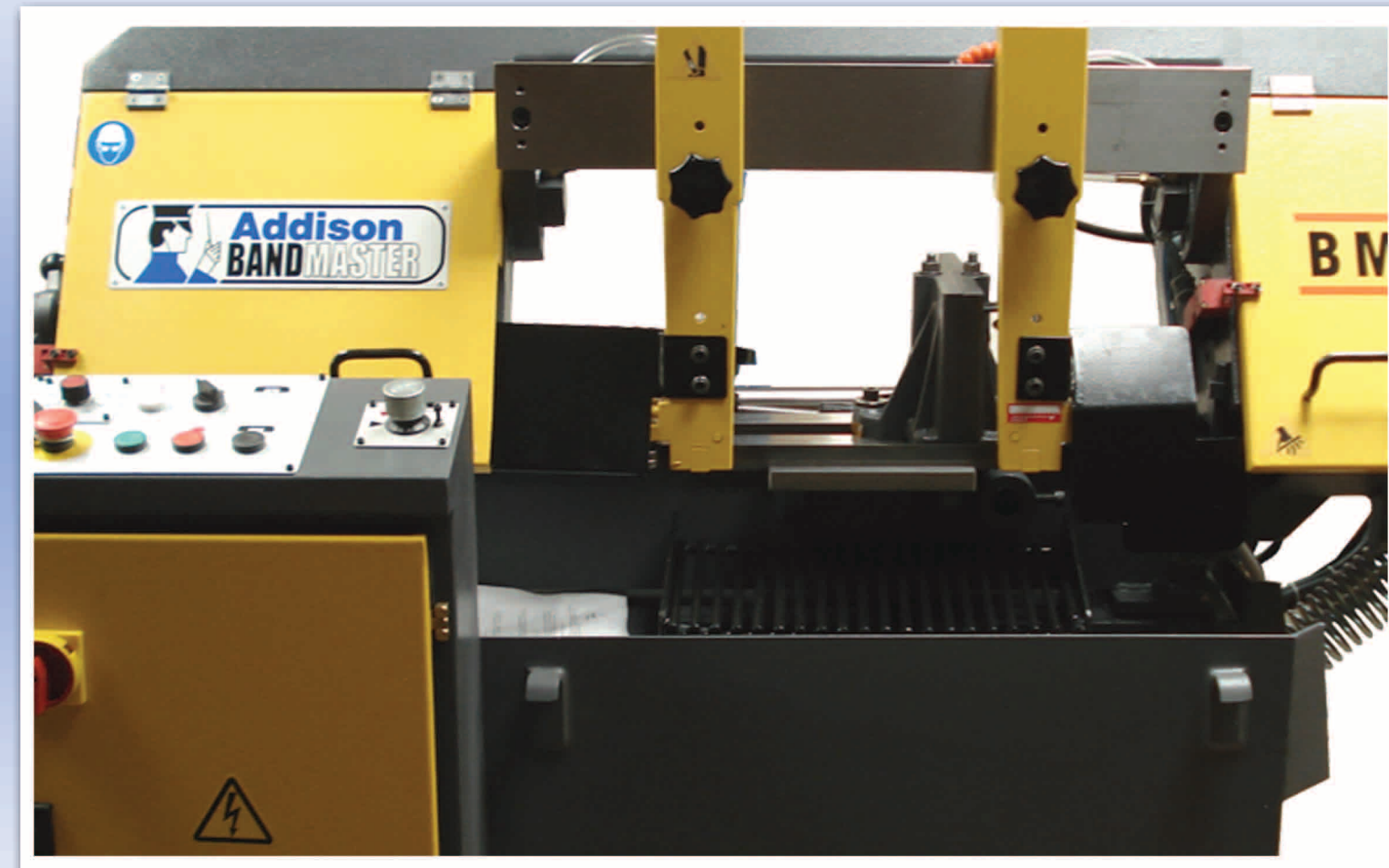
Hydraulic Blade tensioning

# SCISSOR ACTION METAL CUTTING HORIZONTAL BANDSAWS

## Manual & Semi-Automatic Range



Type	BMS320GL	BMSY320GL
Cutting Capacity at 90° Schnittbereich	<input type="radio"/> Round - Rund mm 320 <input type="checkbox"/> Flat - Flach mm 610 x 320 <input type="checkbox"/> Square - Vierkant mm 320	<input type="radio"/> Round - Rund mm 320 <input type="checkbox"/> Flat - Flach mm 580 x 320 <input type="checkbox"/> Square - Vierkant mm 320
Cutting Capacity at 75° Schnittbereich	<input type="radio"/> Round - Rund mm 320 <input type="checkbox"/> Flat - Flach mm 510 x 320 <input type="checkbox"/> Square - Vierkant mm 320	<input type="radio"/> Round - Rund mm 320 <input type="checkbox"/> Flat - Flach mm 510 x 320 <input type="checkbox"/> Square - Vierkant mm 320
Cutting Capacity at 60° Schnittbereich	<input type="radio"/> Round - Rund mm 320 <input type="checkbox"/> Flat - Flach mm 355 x 320 <input type="checkbox"/> Square - Vierkant mm 320	<input type="radio"/> Round - Rund mm 320 <input type="checkbox"/> Flat - Flach mm 355 x 320 <input type="checkbox"/> Square - Vierkant mm 320
Cutting Capacity at 45° Schnittbereich	<input type="radio"/> Round - Rund mm 260 <input type="checkbox"/> Flat - Flach mm 280 x 200 <input type="checkbox"/> Square - Vierkant mm 225	<input type="radio"/> Round - Rund mm 260 <input type="checkbox"/> Flat - Flach mm 280 x 200 <input type="checkbox"/> Square - Vierkant mm 225
Main Drive Motor - Hauptmotor	kW 1,5	1,5
Hydraulic Pump - Hydraulikpumpe	kW -	0,37
Coolant Pump - Kühlmittelpumpe	kW 0,12	0,12
Cutting Speeds - Bandgeschwindigkeit	m/min 20-30-50-70-85	20-30-50-70-85
Band Dimensions - Sägebandabmessung	mm 4160x27x0,9	4160x27x0,9
Working Height - Arbeitshöhe	mm 740	740
Weight - Gewicht	Kg 990	1000
Dimensions Masse	Lenght - Länge mm 2100	2100
	Width - Breite mm 1200	1200
	Height - Höhe mm 1340	1340



**Addison Saws Ltd**  
Crackley Way, Peartree Lane Ind Est  
Dudley, West Midlands, DY2 0UW

**tel 01384 456333**

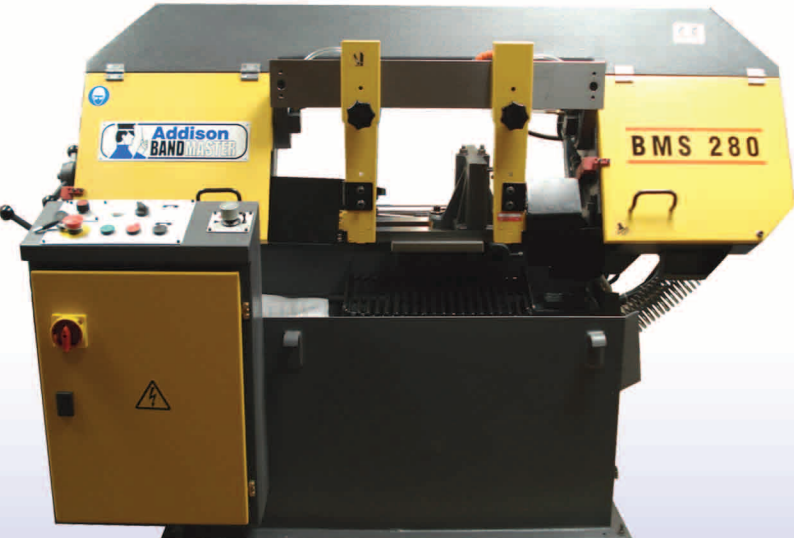
**sales@addisonsaws.co.uk**

**The Power at the Cutting Edge**

**www.addisonsaws.co.uk**



# FIXED HEAD HEAVY DUTY WORKSHOP BANDSAWS



# SWING HEAD HEAVY DUTY WORKSHOP BANDSAWS



**BMS280-G Manual Bandsaw**  
 Manual lift of saw bow, Manual vice, Tilting vice for mitre cuts  
**Machine Options**  
 Electronic Variable blade speed

**BMSY280-G Semi-Auto Bandsaw**  
 Hydraulic lift of saw bow, Manual vice, Tilting vice for mitre cuts  
**Machine Options**  
 Electronic Variable blade speed  
 Hydraulic vice  
 Hydraulic Blade tensioning

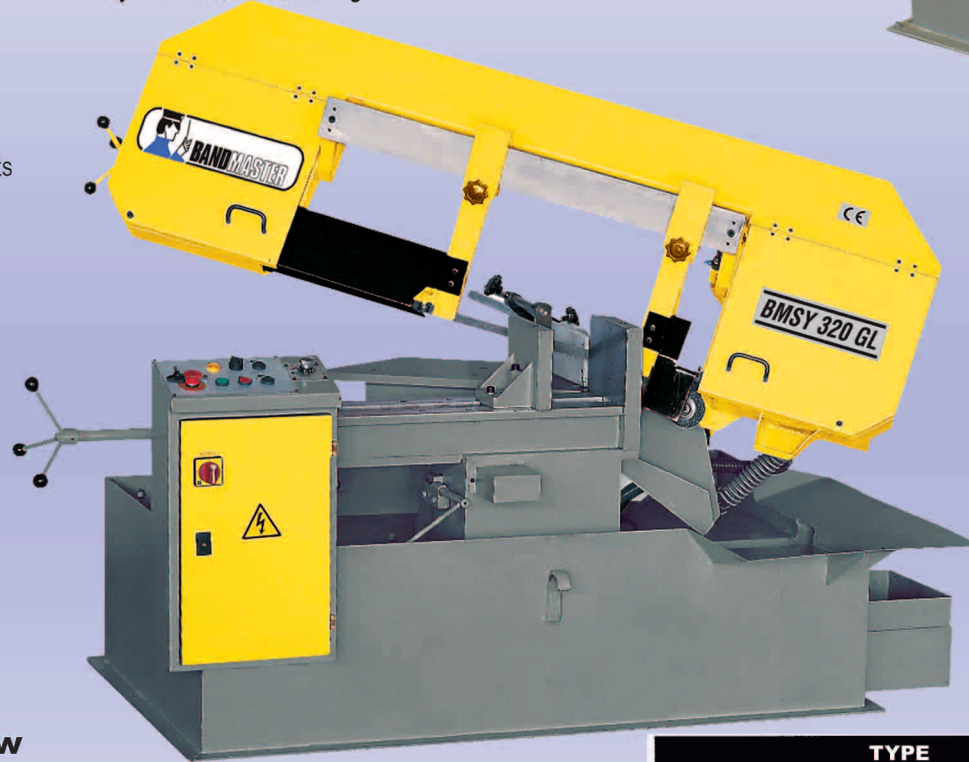
TYPE		BMS280	BMSY280
Cutting	○ Round - Rund	mm 280	280
Capacity at 90°	□ Flat - Flach	mm 350 x 200	350 x 200
Schnittbereich	□ Square - Vierkant	mm 280	280
Cutting	○ Round - Rund	mm 240	240
Capacity at 45°	□ Flat - Flach	mm 240 x 180	240 x 180
Schnittbereich	□ Square - Vierkant	mm 210	210
Main Drive Motor - Hauptmotor		kW 1,5	1,5
Hydraulic Pump - Hydraulikpumpe		kW -	0,37
Feed Motor - Materialvorschubmotor		kW -	-
Coolant Pump - Kühlmittelpumpe		kW 0,12	0,12
Cutting Speeds - Bandgeschwindigkeit		m/min 20-30-50-70-85	20-30-50-70-85
Band Dimensions-Sägebandabmessung		mm 3400x27x0,8	3400x27x0,9
Working Height-Arbeitshöhe		mm 650	650
Weight - Gewicht		Kg 530	540
Dimensions Masse	Lenght - Länge	mm 1800	1800
	Width - Breite	mm 850	850
	Height - Höhe	mm 1200	1200

**BMS280 Manual Bandsaw**  
 Manual lift of saw bow, Manual vice, Tilting vice for mitre cuts  
**Machine Options**  
 Electronic Variable blade speed

**BMSY280 Semi-Auto Bandsaw**  
 Hydraulic lift of saw bow, Manual vice, Tilting vice for mitre cuts  
**Machine Options**  
 Electronic Variable blade speed  
 Hydraulic vice  
 Hydraulic Blade tensioning

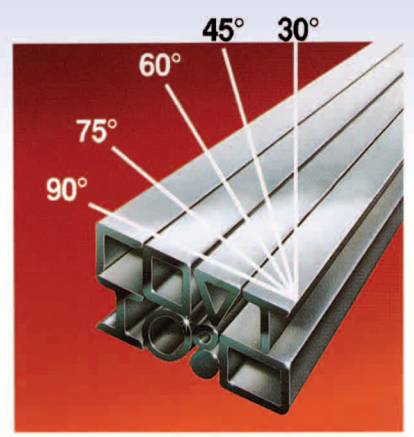


**BMSY 320 & 320L Semi-Auto Bandsaw**  
 Hydraulic lift of saw bow, Manual vice, Tilting vice for mitre cuts  
**Machine Options**  
 Electronic Variable blade speed  
 Hydraulic vice  
 Hydraulic Blade tensioning



**BMSY320-G Semi-Auto Bandsaw**  
 Hydraulic lift of saw bow, Manual vice, Tilting vice for mitre cuts  
**Machine Options**  
 Electronic Variable blade speed  
 Hydraulic vice  
 Hydraulic Blade tensioning

TYPE		BMSY320	BMSY320L
Cutting	○ Round - Rund	mm 320	320
Capacity at 90°	□ Flat - Flach	mm 400 x 220	610 x 310
Schnittbereich	□ Square - Vierkant	mm 320	320
Cutting	○ Round - Rund	mm 280	320
Capacity at 45°	□ Flat - Flach	mm 280 x 200	460 x 180
Schnittbereich	□ Square - Vierkant	mm 260	320
Main Drive Motor - Hauptmotor		kW 1,5	1,5
Hydraulic Pump - Hydraulikpumpe		kW 0,37	0,37
Feed Motor - Materialvorschubmotor		kW -	-
Coolant Pump - Kühlmittelpumpe		kW 0,12	0,12
Cutting Speeds - Bandgeschwindigkeit		m/min 20-30-50-70-85	20-30-50-70-85
Band Dimensions-Sägebandabmessung		mm 3660 x 27 x 0,9	4160 x 27 x 0,9
Working Height-Arbeitshöhe		mm 650	650
Weight - Gewicht		Kg 600	660
Dimensions Masse	Lenght - Länge	mm 1850	2100
	Width - Breite	mm 850	850
	Height - Höhe	mm 1250	1250



TYPE		BMS280G	BMSY280G	BMSY320G
Cutting	○ Round - Rund	mm 280	280	320
Capacity at 90°	□ Flat - Flach	mm 350 x 260	350 x 260	350 x 320
Schnittbereich	□ Square - Vierkant	mm 280	280	320
Cutting	○ Round - Rund	mm 280	280	320
Capacity at 75°	□ Flat - Flach	mm 320 x 260	320 x 260	350 x 200
Schnittbereich	□ Square - Vierkant	mm 280	280	300
Cutting	○ Round - Rund	mm 280	280	300
Capacity at 60°	□ Flat - Flach	mm 280 x 260	280 x 260	300 x 200
Schnittbereich	□ Square - Vierkant	mm 260	260	250
Cutting	○ Round - Rund	mm 220	220	260
Capacity at 45°	□ Flat - Flach	mm 220 x 220	220 x 220	250 x 180
Schnittbereich	□ Square - Vierkant	mm 220	220	180
Cutting	○ Round - Rund	mm 160	160	160
Capacity at 30°	□ Flat - Flach	mm 150 x 150	150 x 150	150 x 150
Schnittbereich	□ Square - Vierkant	mm 150	150	150
Main Drive Motor - Hauptmotor		kW 1,5	1,5	1,5
Hydraulic Pump - Hydraulikpumpe		kW -	0,37	0,37
Coolant Pump - Kühlmittelpumpe		kW 0,12	0,12	0,12
Cutting Speeds - Bandgeschwindigkeit		m/min 35-70	35-70	20-30-50-70-85
Band Dimensions-Sägebandabmessung		mm 3400x27x0,9	3400x27x0,9	3660x27x0,9
Working Height-Arbeitshöhe		mm 740	740	740
Weight - Gewicht		Kg 790	800	900
Dimensions Masse	Lenght - Länge	mm 1800	1800	1850
	Width - Breite	mm 1000	1000	1200
	Height - Höhe	mm 1260	1260	1340

